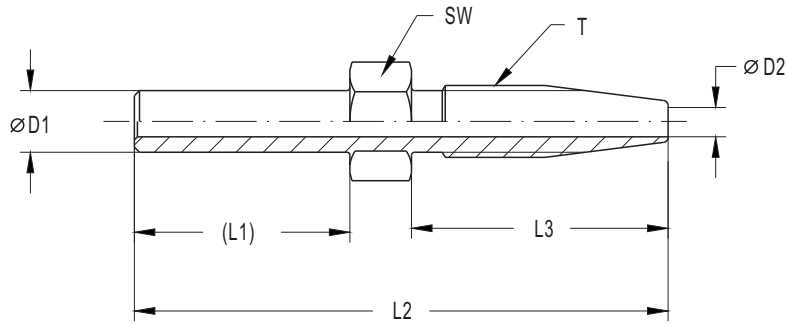




润滑软管接头

LUBRICATION
HOSE FITTING

润滑软管接头 LUBRICATION HOSE FITTING



公制卡套式直管
METRIC STANDPIPE STRAIGHT
DIN 2353

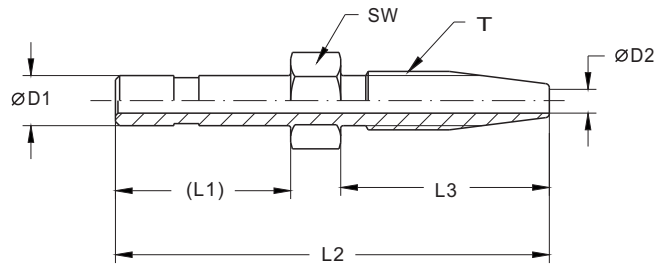
直涨芯

型号 PART NO.	软管 HOSE BORE		螺纹E THREAD D1	尺寸 DIMENSIONS						备注 NOTE
	内径 DN	外径 OD		D1	D2	L1	L2	L3	SW	
100121218	4	8.6	M7x0.75	5	2.8	30	64	25	10	LL
100121189	4	8.6	M7x0.75	6	2.8	19	50	25	10	
100121190	4	8.6	M7x0.75	6	2.8	24	55	25	10	
100121201	4	8.6	M7x0.75	6	2.8	29	60	25	10	
100121217	4	8.6	M7x0.75	8	2.8	30	64	25	10	
100121219	4	8.6	M7x0.75	10	2.8	30	64	25	12	
100121301	6.5	11.2	M8x0.75	8	5.2	25	67.5	36	12	

注：1.表中型号材质为碳钢。
Note: 1.Type material for carbon steel in the table.

2.如需用不锈钢型号改为 100121xxx-SS。
3.If need stainless steel models to 100121xxx-SS.

润滑软管接头 LUBRICATION HOSE FITTING



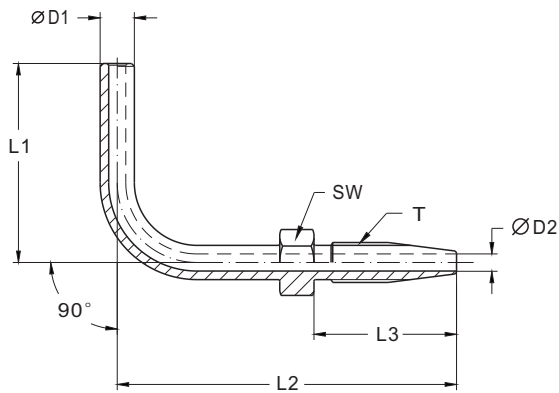
公制卡套式直管(带槽)
METRIC STANDPIPE
STRAIGHT(GROOVED)
DIN 2353

带槽直涨芯

型号 PART NO.	软管 HOSE BORE		螺纹E THREAD D1	尺寸 DIMENSIONS						备注 NOTE
	内径 DN	外径 OD		D1	D2	L1	L2	L3	SW	
100121210	4	8.6	M7x0.75	6	2.8	21	52	25	10	LL
100121191	4	8.6	M7x0.75	6	2.8	29	60	25	10	

注：1.表中型号材质为碳钢。
Note: 1.Type material for carbon steel in the table.

2.如需用不锈钢型号改为 100121xxx-SS。
3.If need stainless steel models to 100121xxx-SS.



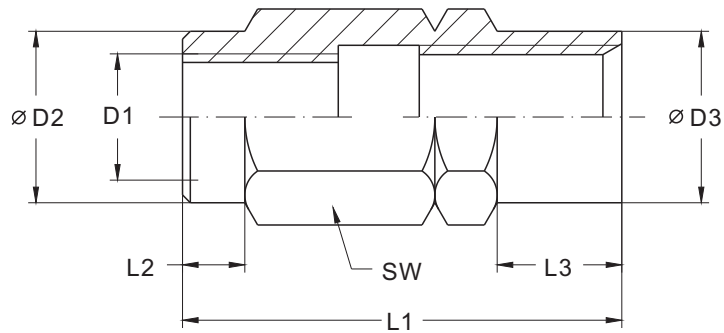
90° 公制卡套式直管
90° METRIC STANDPIPE STRAIGHT
DIN 2353

弯涨芯

型号 PART NO.	软管 HOSE BORE		螺纹E THREAD D1	尺寸 DIMENSIONS						备注 NOTE
	内径 DN	外径 OD		D1	D2	L1	L2	L3	SW	
100121208	4	8.6	M7x0.75	6	2.8	23.5	44	25	10	LL
100121202	4	8.6	M7x0.75	6	2.8	40	60	25	10	

注：1.表中型号材质为碳钢。
Note: 1.Type material for carbon steel in the table.

润滑软管接头 LUBRICATION HOSE FITTING



润滑软管可拆式套筒
LUBRICATION HOSE DETACHABLE
FERRULE

外套

型号 PART NO.	软管 HOSE BORE		螺纹E THREAD D1	尺寸 DIMENSIONS					
	内径 DN	外径 OD		D2	D3	L1	L2	L3	SW
100121200	4	8.6	M7x0.75	11	11	28	4	8	12
100121305	6.5	11.2	M8x0.75	14	16	36	4	9	17

注：1.表中型号材质为碳钢。

Note: 1.Type material for carbon steel in the table.

2.如需用不锈钢型号改为 100121xxx-SS。

3.If need stainless steel models to 100121xxx-SS.